



FR0.375LT
Bucket technical characteristics

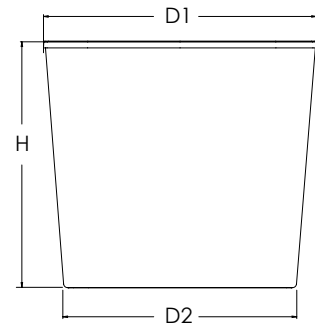
Dimensions

D1: 102 mm

D2: 97.4 mm

H: 80 mm *without the lid*

Deviation ±1mm



Other elements

Capacity (LT)

Volume to rim
0.450 LT

Brim full volume
0.500 LT

Net weight / Deviation (±2.5%)

42 gr

Buckets packaging

Carton 216 pcs

Decoration

IML Label
309X76,50 mm

Packaging

5 Vertically



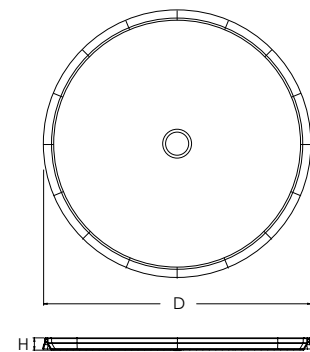
Lid technical characteristics
FR0.375LT

Dimensions

D: 93 mm

H: 12 mm

Deviation ±1mm



Other elements

Lid weight (gr)
Deviation (±2.5%)

12 gr

Lid packaging

Carton 1.225 pcs

USEFUL STORAGE INFORMATION: To preserve the quality of this product, it is recommended that it be stored in its original packaging, away from any source of local heat and moisture, away from direct sunlight (below 30°C) and dry conditions. It is recommended that the product be allowed to reach operating temperature 24 hours before use.

RAW MATERIAL: Polypropylene (PP)



ISO 22000/ISO 9001/FSSC 22000

