



**FL5.1LT**  
**Bucket technical characteristics**

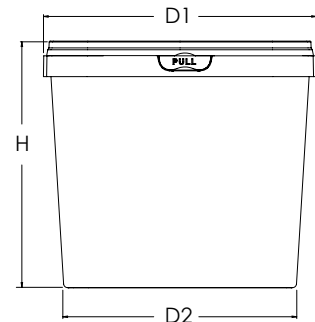
**Dimensions**

D1: 246 mm

D2: 211.6 mm

H: 155 mm *without the lid*

*Deviation ±1mm*



**Other elements**

Capacity (LT)	Volume to rim 4.600 LT	Brim full volume 5.650T
Net weight / Deviation (±2.5%)	164gr (the handle is also included)	
Handle	Plastic	Weight 9 gr
Buckets packaging	Pallet 900 pcs or 1.200 pcs	
Decoration	IML Label 703X131 mm	Dry Offset 685X110 mm
Packaging	5 Vertically	

**Lid technical characteristics**

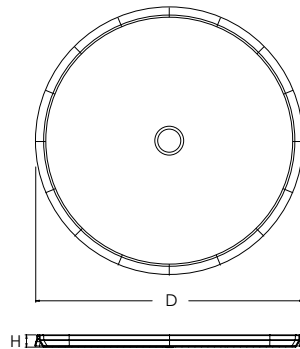
**FL5.1LT**

**Dimensions**

D: 242.02 mm

H: 14.3 mm

*Deviation ±1mm*



**Lid technical characteristics**

**FL5.1LT FOIL**

**Dimensions**

D: 241 mm

H: 24 mm

*Deviation ±1mm*



**Other elements**

Lid weight (gr) Deviation (±2.5%)	60 gr (FL 5.1LT(x2))	62 gr (FL 5.1LT FOIL)
Lid packaging	Pallet 2.250 pcs or 3.000 pcs	
Decoration	Dry Offset Ø 120mm	

**USEFUL STORAGE INFORMATION:** To preserve the quality of this product, it is recommended that it be stored in its original packaging, away from any source of local heat and moisture, away from direct sunlight (below 30°C) and dry conditions. It is recommended that the product be allowed to reach operating temperature 24 hours before use.

RAW MATERIAL: Polypropylene (PP)



ISO 22000/ISO 9001/FSSC 22000

