



**FL4.2LT**  
**Bucket technical characteristics**

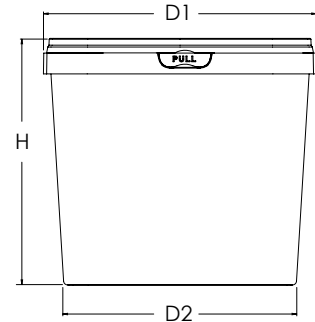
**Dimensions**

D1: 212 mm

D2: 175.2 mm

H: 185 mm *without the lid*

*Deviation ± 1mm*



**Other elements**

Capacity (LT)

Volume to rim  
4.100 LT

Brim full volume  
4.700 LT

Net weight / Deviation (±2.5%)

164 gr

Handle

Plastic

Weight 9 gr

Metallic

Weight 23.5 gr

Buckets packaging

Pallet 660 pcs or 1.000 pcs

Decoration

IML Label  
821,18X208,45 mm

Dry Offset  
810X180 mm

Packaging

5 Vertically



**Lid technical characteristics**

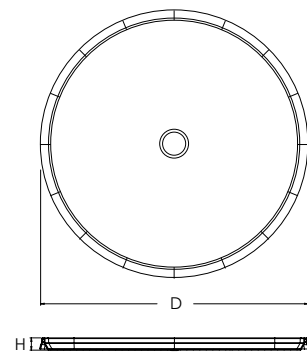
**FL4.2LT**

**Dimensions**

D: 211 mm

H: 14.7 mm

*Deviation ± 1mm*



**Other elements**

Lid weight (gr)  
Deviation (±2.5%)

51 gr

Lid packaging

Europallet 2.400 pcs

Decoration

Dry Offset  
Ø 120mm

**USEFUL STORAGE INFORMATION:** To preserve the quality of this product, it is recommended that it be stored in its original packaging, away from any source of local heat and moisture, away from direct sunlight (below 30°C) and dry conditions. It is recommended that the product be allowed to reach operating temperature 24 hours before use.

RAW MATERIAL: Polypropylene (PP)



ISO 22000/ISO 9001/FSSC 22000

