



FL3.8LT
Bucket technical characteristics

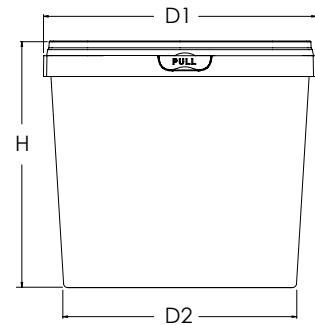
Dimensions

D1: 202.8 mm

D2: 166.5 mm

H: 173.6 mm *without the lid*

Deviation ± 1mm



Other elements

Capacity (LT)	Volume to rim 3.782LT	Brim full volume 4.081LT
Net weight / Deviation (±2.5%)	147 gr (the handle is also included)	
Handle	Plastic	
Buckets packaging	Pallet 660 pcs or 1.000 or 1.500 pcs	
Decoration	IML Label 552X151 mm	Dry Offset 550X125 mm
Packaging	5 Vertically	



Lid technical characteristics

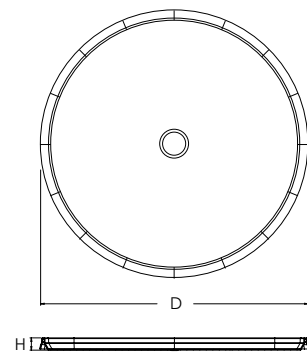
FL3.8LT

Dimensions

D: 198.4 mm

H: 140 mm

Deviation ± 1mm



Other elements

Lid weight (gr) Deviation (±2.5%)	35 gr	
Lid packaging	Europallet 2.400 pcs	
Decoration	IML Label Ø 148mm	Dry Offset Ø 120mm

USEFUL STORAGE INFORMATION: To preserve the quality of this product, it is recommended that it be stored in its original packaging, away from any source of local heat and moisture, away from direct sunlight (below 30°C) and dry conditions. It is recommended that the product be allowed to reach operating temperature 24 hours before use.

RAW MATERIAL: Polypropylene (PP)



ISO 22000/ISO 9001/FSSC 22000

