



**FL3.1LT**  
**Bucket technical characteristics**

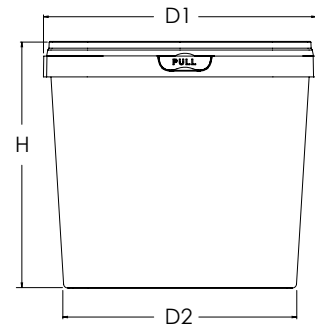
**Dimensions**

D1: 205.4 mm

D2: 167.4 mm

H: 162.4 mm *without the lid*

*Deviation ± 1mm*



**Other elements**

Capacity (LT)	Volume to rim 2.960 LT	Brim full volume 3.550 LT
Net weight / Deviation (±2.5%)	112 gr	
Handle	Plastic	Weight 9 gr
Buckets packaging	Pallet 1.000 pcs	
Decoration	IML Label 547X138 mm	Dry Offset 542X110 mm
Packaging	5 Vertically	

**Lid technical characteristics**

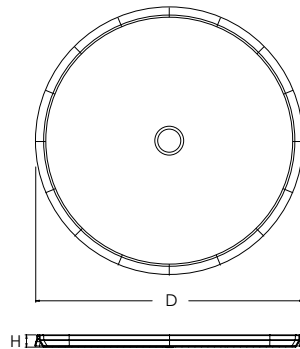
**FL3.8LT**

**Dimensions**

D: 197.9 mm

H: 14.2 mm

*Deviation ± 1mm*



**Lid technical characteristics**

**FL3.8LT FOIL**

**Dimensions**

D: 196 mm

H: 22.4 mm

*Deviation ± 1mm*



**Other elements**

Lid weight (gr) Deviation (±2.5%)	35 gr (FL 3.8LT (x2))	42 gr (FL 3.8LT FOIL)
Lid packaging	Pallet 2.400 pcs	Pallet 2.400 pcs
Decoration	IML Label Ø 148 mm	Dry Offset Ø 120mm

**USEFUL STORAGE INFORMATION:** To preserve the quality of this product, it is recommended that it be stored in its original packaging, away from any source of local heat and moisture, away from direct sunlight (below 30°C) and dry conditions. It is recommended that the product be allowed to reach operating temperature 24 hours before use.

RAW MATERIAL: Polypropylene (PP)



ISO 22000/ISO 9001/FSSC 22000

