



**FL18LT**  
**Bucket technical characteristics**

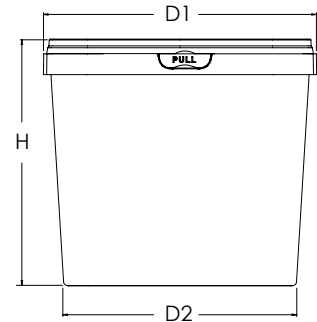
**Dimensions**

D1: 332 mm

D2: 283 mm

H: 308 mm *without the lid*

*Deviation ±1mm*



**Other elements**

Capacity (LT)

Volume to rim  
18.200 LT

Brim full volume  
20.700 LT

Net weight / Deviation (±2.5%)

567 gr

Handle

Metallic

Weight 59 gr

Buckets packaging

Europallet 360 pcs

Pallet 500 pcs

Decoration

IML Label  
924X274 mm

Dry Offset  
930X225 mm

Packaging

3 Vertically



**Lid technical characteristics**

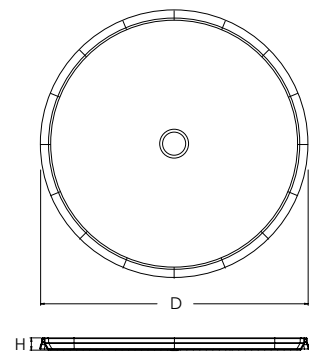
**FL18LT**

**Dimensions**

D: 329 mm

H: 155 mm

*Απόκλιση ±1mm*



**Other elements**

Lid weight (gr)  
Deviation (±2.5%)

145 gr

Lid packaging

Europallet 1.600 pcs

Pallet 2.400 pcs

**USEFUL STORAGE INFORMATION:** To preserve the quality of this product, it is recommended that it be stored in its original packaging, away from any source of local heat and moisture, away from direct sunlight (below 30°C) and dry conditions. It is recommended that the product be allowed to reach operating temperature 24 hours before use.

RAW MATERIAL: Polypropylene (PP)



ISO 22000/ISO 9001/FSSC 22000

