



**FL18.6LT**  
**Bucket technical characteristics**

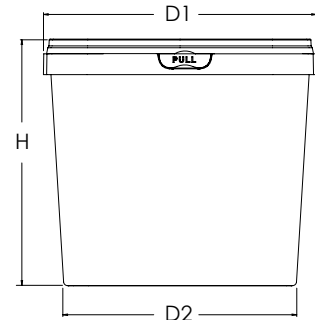
**Dimensions**

D1: 300 mm

D2: 254 mm

H: 362 mm *without the lid*

*Deviation ±1mm*



**Other elements**

Capacity (LT)

Volume to rim  
18.200 LT

Brim full volume  
20.700 LT

Net weight / Deviation (±2.5%)

530 gr

Handle

Metallic

Weight 47 gr

Buckets packaging

Pallet 252 pcs

Decoration

IML Label  
924X274 mm

Packaging

3 Vertically

**Lid technical characteristics**

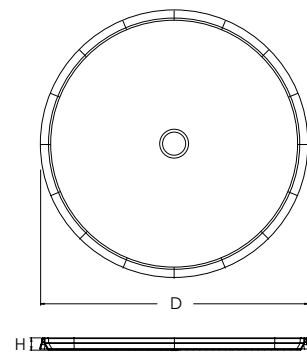
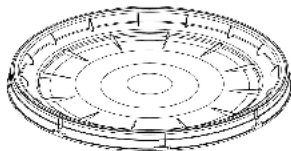
**FL18.6LT**

**Dimensions**

D: 275 mm

H: 211 mm

*Απόκλιση ±1mm*



**Other elements**

Lid weight (gr)  
Deviation (±2.5%)

125 gr

Lid packaging

Pallet 960 pcs

**USEFUL STORAGE INFORMATION:** To preserve the quality of this product, it is recommended that it be stored in its original packaging, away from any source of local heat and moisture, away from direct sunlight (below 30°C) and dry conditions. It is recommended that the product be allowed to reach operating temperature 24 hours before use.

RAW MATERIAL: Polypropylene (PP)



ISO 22000/ISO 9001/FSSC 22000

