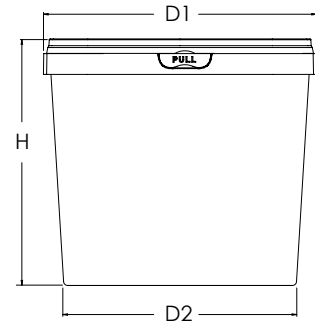




FL11LT
Bucket technical characteristics

Dimensions

D1: 292.19 mm
D2: 246.02 mm
H: 247 mm *without the lid*
Deviation ±1mm



Other elements	Capacity (LT)	Volume to rim 12.000 LT	Brim full volume 12.762 LT	
	Net weight / Deviation (±2.5%)	390gr		
	Handle	Plastic	Weight 19.5 gr	
		Metallic	Weight 43 gr	
	Buckets packaging	Pallet 440 pcs or 800 pcs		
	Decoration	IML Label 864.29X248.75 mm	Dry Offset 800X275mm	
Packaging	4 Vertically			

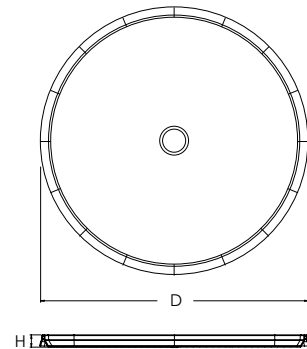


Lid technical characteristics

FL11LT

Dimensions

D: 288 mm
H: 14.62 mm
Deviation ±1mm



Other elements	Lid weight (gr) Deviation (±2.5%)	105 gr	
	Lid packaging	Pallet 800 pcs	
	Decoration	IML Label Ø 148mm	Dry Offset Ø 156mm

USEFUL STORAGE INFORMATION: To preserve the quality of this product, it is recommended that it be stored in its original packaging, away from any source of local heat and moisture, away from direct sunlight (below 30°C) and dry conditions. It is recommended that the product be allowed to reach operating temperature 24 hours before use.

RAW MATERIAL: Polypropylene (PP)



ISO 22000/ISO 9001/FSSC 22000

