



**FL11LT RELIEF**  
**Bucket technical characteristics**

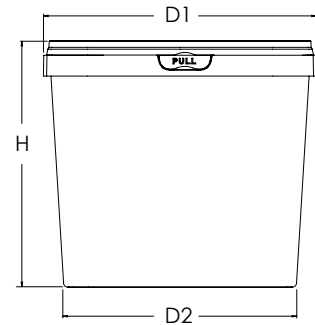
**Dimensions**

D1: 293 mm

D2: 246mm

H: 246 mm *without the lid*

*Deviation ± 1mm*



**Other elements**

Capacity (LT)	Volume to rim 12.000LT	Brim full volume 12.762 LT
Net weight / Deviation (±2.5%)	390 gr	
Handle	Plastic	Weight 19.5 gr
	Metallic	Weight 43 gr
Buckets packaging	Pallet 440 pcs or 800 pcs	
Decoration	IML Label 864.29X248.75 mm	Dry Offset 800x275 mm
Packaging	4 Vertically	



**Lid technical characteristics**

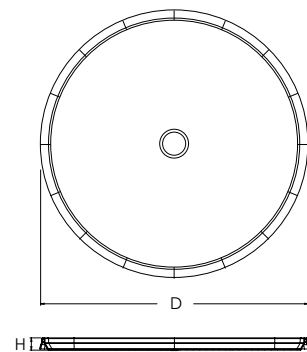
**FL11LT**

**Dimensions**

D: 293 mm

H: 14.62 mm

*Deviation ± 1mm*



**Other elements**

Lid weight (gr) Deviation (±2.5%)	105 gr	
Lid packaging	Europallet 2.200 pcs	
Decoration	IML Label Ø 148mm	Dry Offset Ø 156mm

**USEFUL STORAGE INFORMATION:** To preserve the quality of this product, it is recommended that it be stored in its original packaging, away from any source of local heat and moisture, away from direct sunlight (below 30°C) and dry conditions. It is recommended that the product be allowed to reach operating temperature 24 hours before use.

RAW MATERIAL: Polypropylene (PP)



ISO 22000/ISO 9001/FSSC 22000

