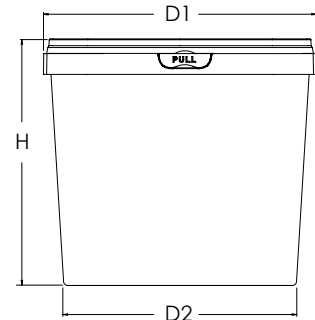




**FA10LT**  
**Bucket technical characteristics**

**Dimensions**

D1: 274.37 mm  
D2: 221.38 mm  
H: 261 mm *without the lid*  
*Deviation ±1mm*



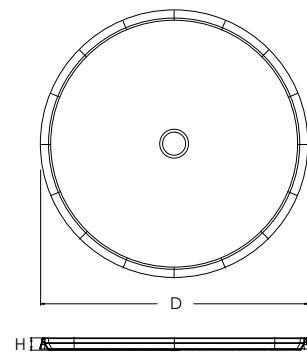
<b>Other elements</b>	Capacity (LT)	Volume to rim 9.700 LT	Brim full volume 11.160 LT	
	Net weight / Deviation (±2.5%)	300 gr		
	Handle	Plastic	Weight 19.5 gr	
		Metallic	Weight 43 gr	
	Buckets packaging	Pallet 1.000 pcsc or 700 pcs		
	Decoration	IML Label 765,5X238 mm	Dry Offset 740X195 mm	
Packaging	4 Vertically			



**Lid technical characteristics**  
**FA10LT**

**Dimensions**

D: 270 mm  
H: 13.8 mm  
*Deviation ±1mm*



<b>Other elements</b>	Lid weight (gr) Deviation (±2.5%)	77 gr	
	Lid packaging	Pallet 2.000 pcs	
	Decoration	Dry Offset Ø 156mm	

**USEFUL STORAGE INFORMATION:** To preserve the quality of this product, it is recommended that it be stored in its original packaging, away from any source of local heat and moisture, away from direct sunlight (below 30°C) and dry conditions. It is recommended that the product be allowed to reach operating temperature 24 hours before use.

RAW MATERIAL: Polypropylene (PP)



ISO 22000/ISO 9001/FSSC 22000

