



F400
Bucket technical characteristics

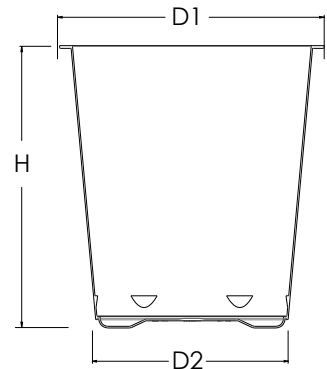
Dimensions

D1: 94.7 mm

D2: 68.87 mm

H: 101.4 mm *without the lid*

Deviation ±1mm



Other elements

Capacity (LT)

Volume to rim
0.400 LT

Brim full volume
0.450 LT

Net weight / Deviation (±2.5%)

15.3 gr

Buckets packaging

Carton 1260 pcs

Decoration

IML Label
240X99 mm



Lid technical characteristics

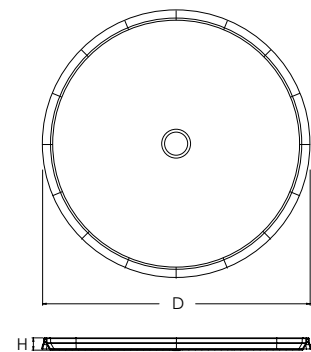
F400

Dimensions

D: 127 mm

H: 11.55 mm

Deviation ±1mm



Other elements

Lid weight (gr)
Deviation (±2.5%)

5 gr

Lid packaging

Carton 1.820 pcs

Decoration

IML Label
Ø 76,5 mm

USEFUL STORAGE INFORMATION: To preserve the quality of this product, it is recommended that it be stored in its original packaging, away from any source of local heat and moisture, away from direct sunlight (below 30°C) and dry conditions. It is recommended that the product be allowed to reach operating temperature 24 hours before use.

RAW MATERIAL: Polypropylene (PP)



ISO 22000/ISO 9001/FSSC 22000

